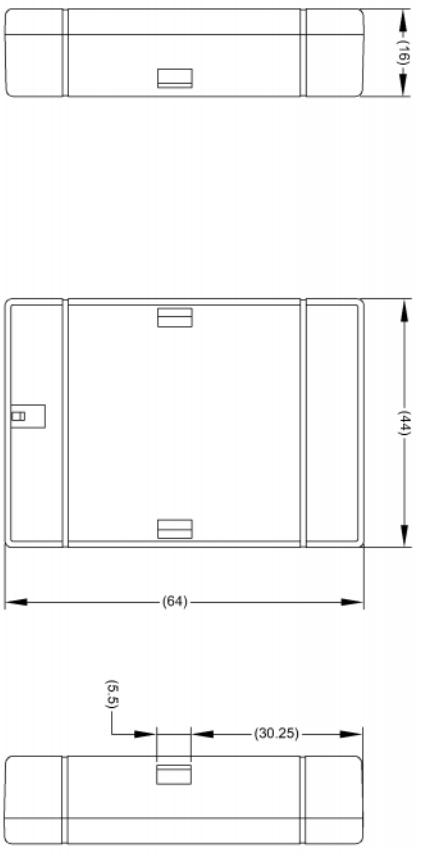
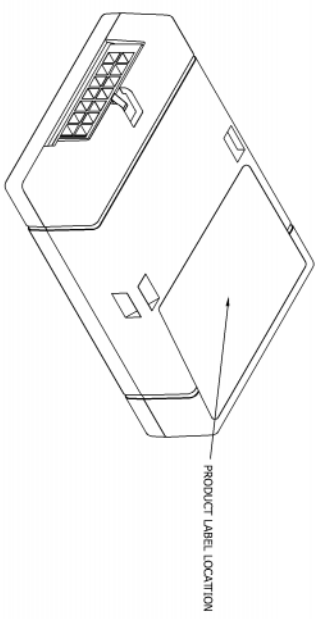
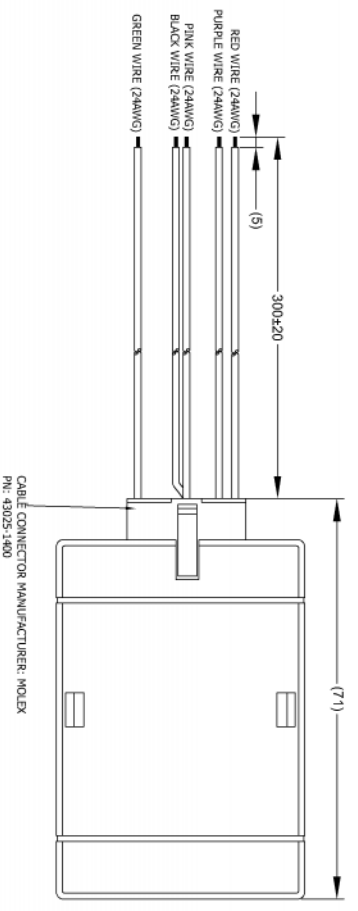
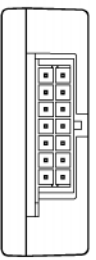


Revision Notes			
APA-	Drawn-	Checked-	Approved-
			Date-



WIRE	CONNECTION
BLACK	POWER SUPPLY NEGATIVE (0V)
RED	POWER SUPPLY POSITIVE +12/24VDC
GREEN	SPEED PULSE INPUT (TACHOGRAPH PIN NO. B8 (4PPM))
PINK	CONTROL OF PROGRAMMING & READING MODES
PURPLE	SWITCH POWER OUTPUT

- NOTES:
1. MATERIAL: ABS PLASTIC.
 2. FINISH: BLACK.
 3. REFER TO PRODUCT SPECIFICATIONS FOR MORE DETAILS.
 4. FIRMWARE VERSION V0.6 TO BE PRELOADED TO THE SPEED SWITCH DURING MANUFACTURING.
 5. FOR PRODUCT LABEL REFER TO LATEST REVISION OF DRAWING BE-003063-XX-15.
 6. SPEED SWITCH WITH CONNECTOR CABLE TAIL (NOT PLUGGED IN) WILL BE PROVIDED IN CLEAR PLASTIC BAGS (SIZE 160(L) X 100(W) MM).



PROPRIETARY NOTICE
 THIS DESIGN AND TECHNICAL INFORMATION APPEARING ON THIS DRAWING IS THE PROPERTY OF BRIGADE ELECTRONICS, AND IS DISCLOSED IN CONFIDENCE. IT IS NOT TO BE COPIED, REPRODUCED, REVEALED TO OR EXPROPRIATED BY OTHERS, EITHER IN WHOLE OR IN PART WITHOUT THE EXPRESS WRITTEN CONSENT OF BRIGADE ELECTRONICS.

BRIGADE
 www.brigade-electronics.com

Assembly PI Approval G.THOMAS	Approved by B.JOHN	Checked by R.BATES	Drawn by L.BRAR
Angle of Projection	Units mm	Scale N/A	Released 22/04/14
Third Angle	Status RELEASED	LS-60-A	
	Part No 4851	BE-003064-00-15	